



PARS SHIR Mfg. Co.

Technology & safety

Model

Brass taps without safety device

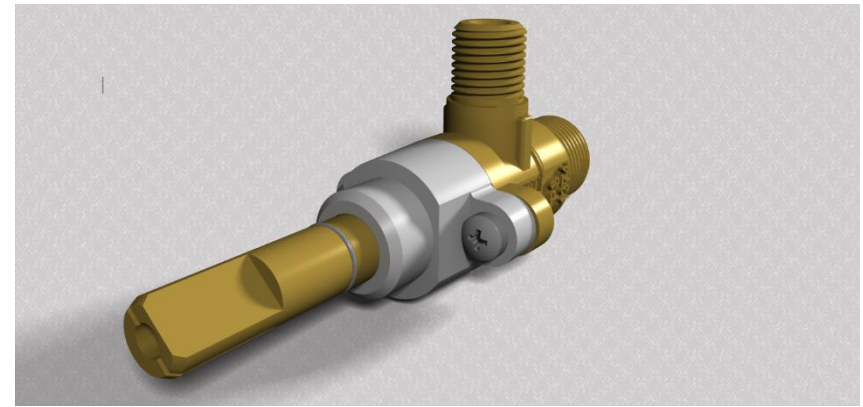
Construction

Body: Forged Body

Cone: Brass

Cap: Die cast aluminium alloy

Spindle: Brass



Connections

Standard Inlet: NPT 1/8-27 male

Standard Outlet: M13x1 male

Spindle dimension: 6.5x8 mm.

Shape according to customer's request

Functional data

Maximum working temperature: 100°C

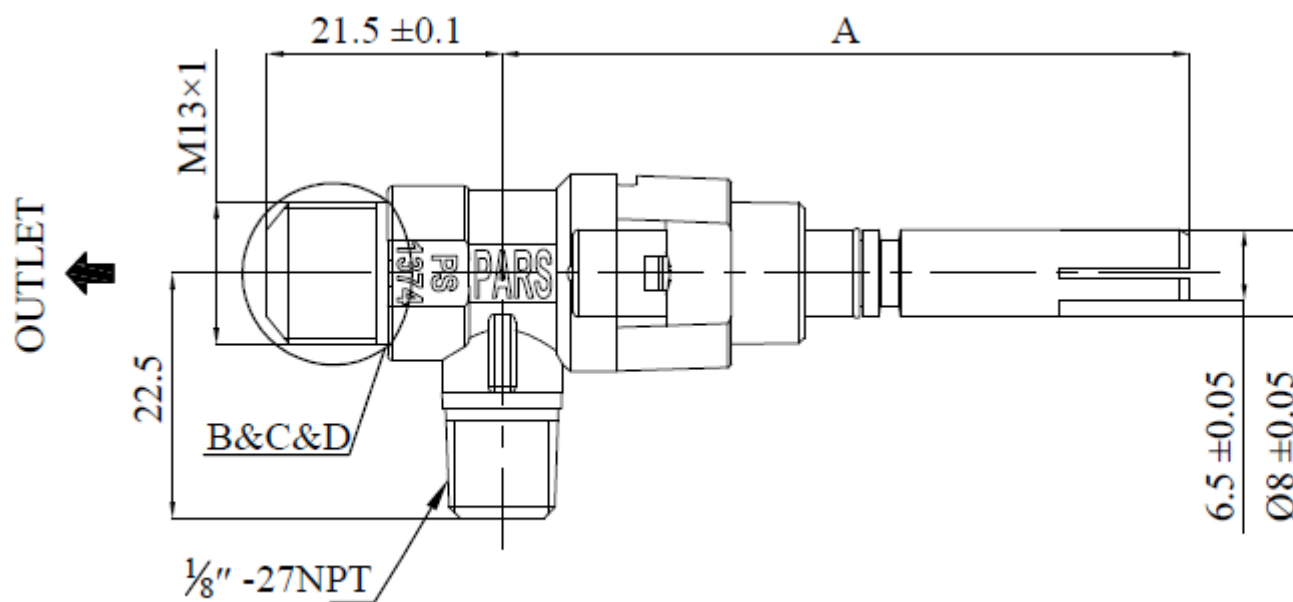
Maximum working pressure: 50 mbar

Flow: 360 l/h

Internal leak tightness: < 20 cc/h (at 150 mbar)

Stroke: 3.5 – 4 mm.

Overall dimensions



A : according to customer's request.

Brass

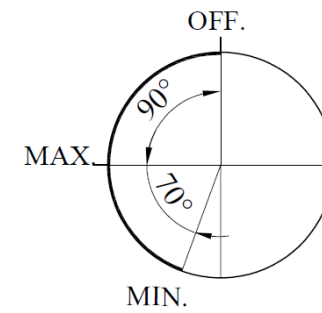
Installation

Maximum inlet torque: 15 Nm.

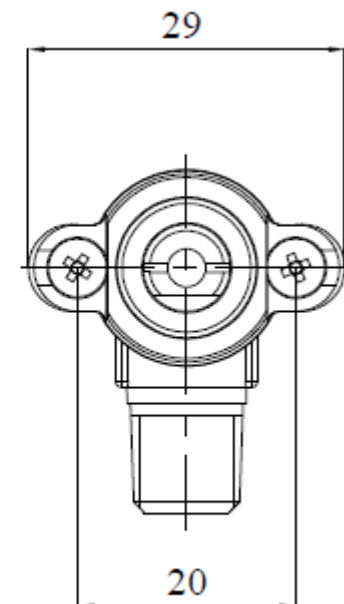
Maximum outlet torque: 15 Nm.

Maximum injector torque: 4 Nm.

Spindle rotation diagram

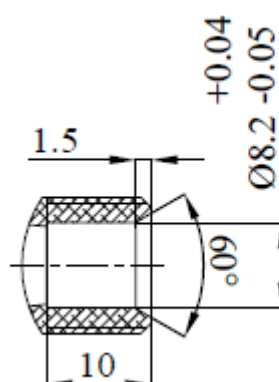


Operation sequence

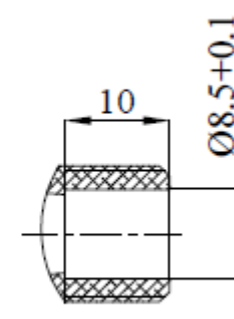


Outlet according to customer's request

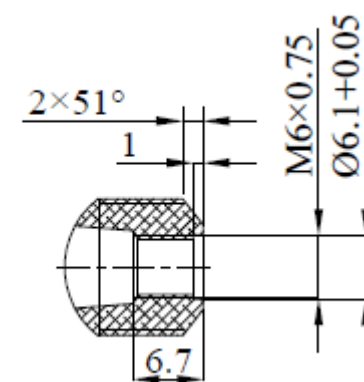
Outlet		
1	M13x1 - G 1/4	Type 1
2	M13x1 - G1/4	Type 2
3	M13x1 - G1/4	Type 3



1



2



3